

AUTODESK

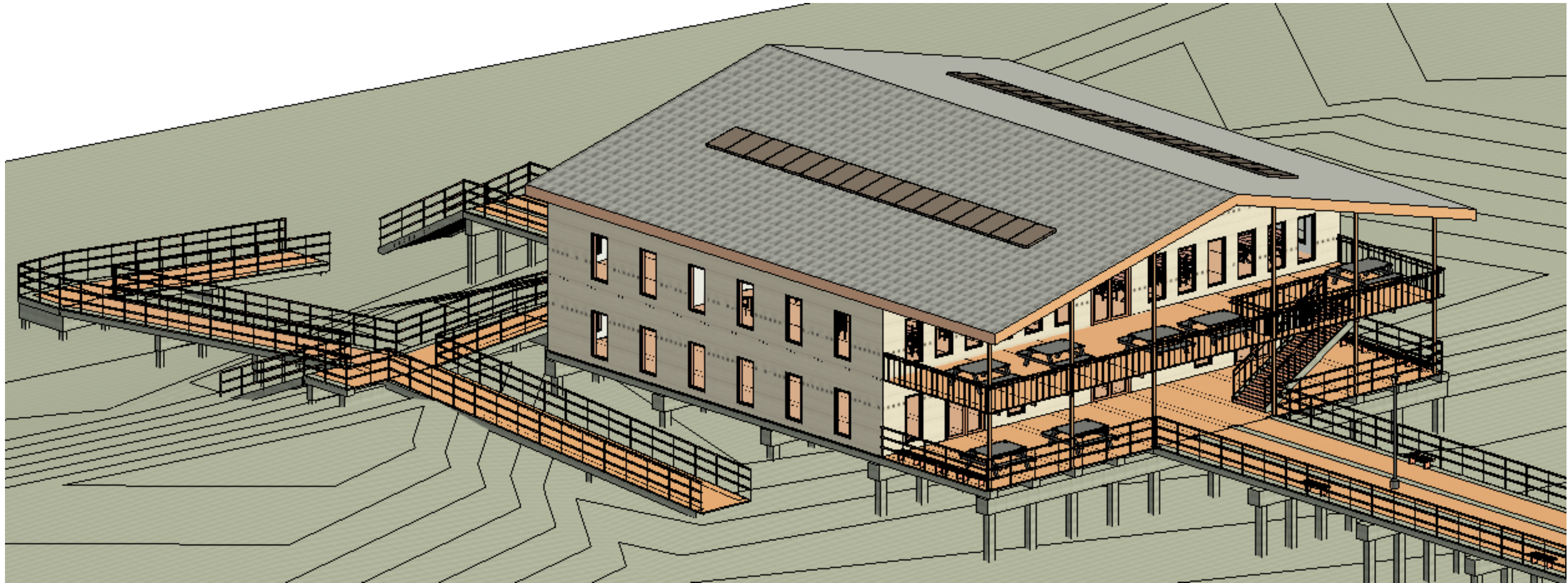
www.autodesk.com/revit

Owner

New Rodanthe Pier

No.	Description	Date

Front Isometric View		A1.0
Project number	Project Number	
Date	Issue Date	
Drawn by	Author	
Checked by	Checker	
Scale		



AUTODESK

www.autodesk.com/revit

Owner

New Rodanthe Pier

No.	Description	Date

Back Isometric View

Project number	Project Number
Date	Issue Date
Drawn by	Author
Checked by	Checker

A1.1

Scale



AUTODESK

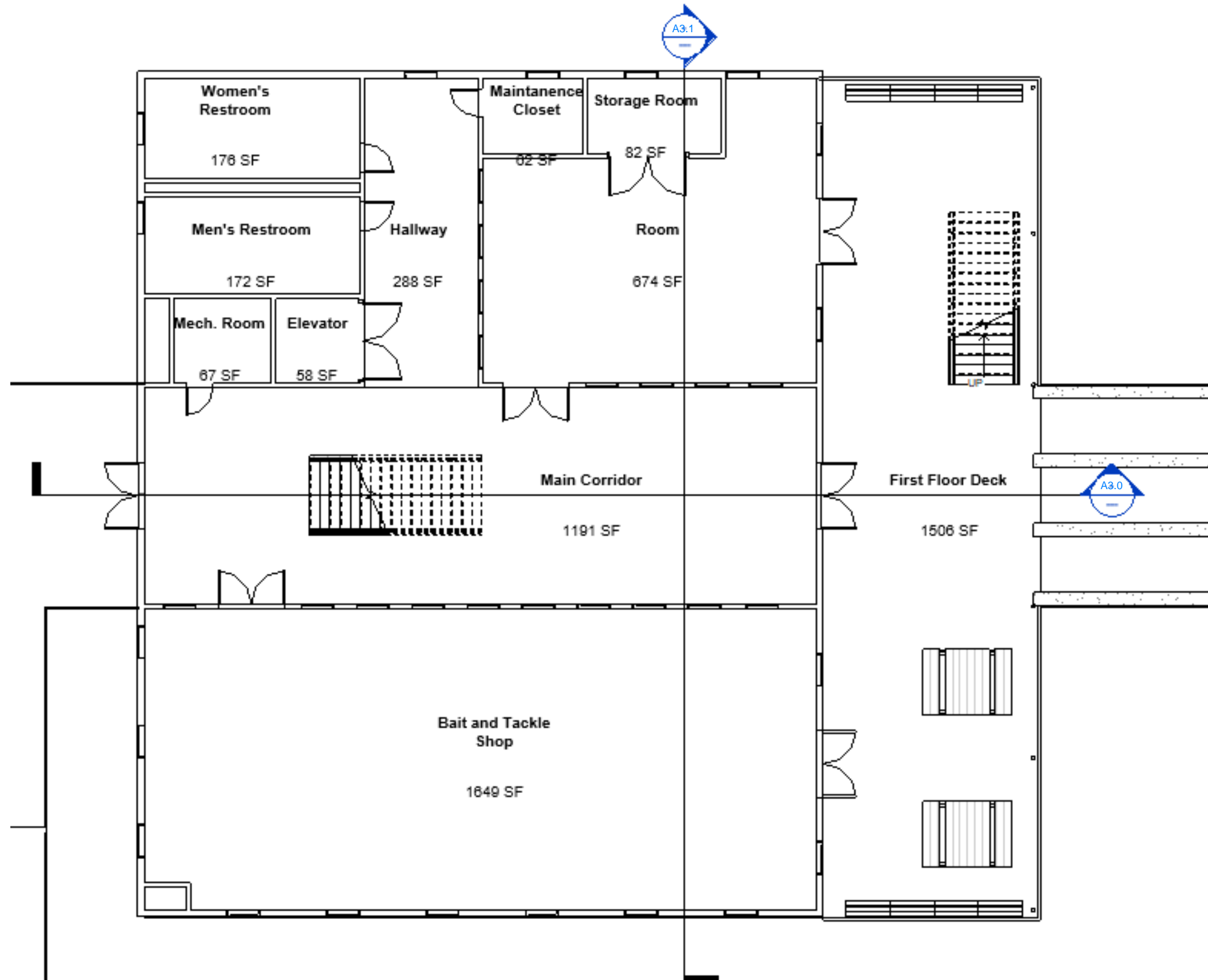
www.autodesk.com/revit

Owner

New Rodanthe Pier

No.	Description	Date

Aerial View of Second Floor		
Project number	Project Number	A1.2
Date	Issue Date	
Drawn by	Author	Scale
Checked by	Checker	



www.autodesk.com/revit

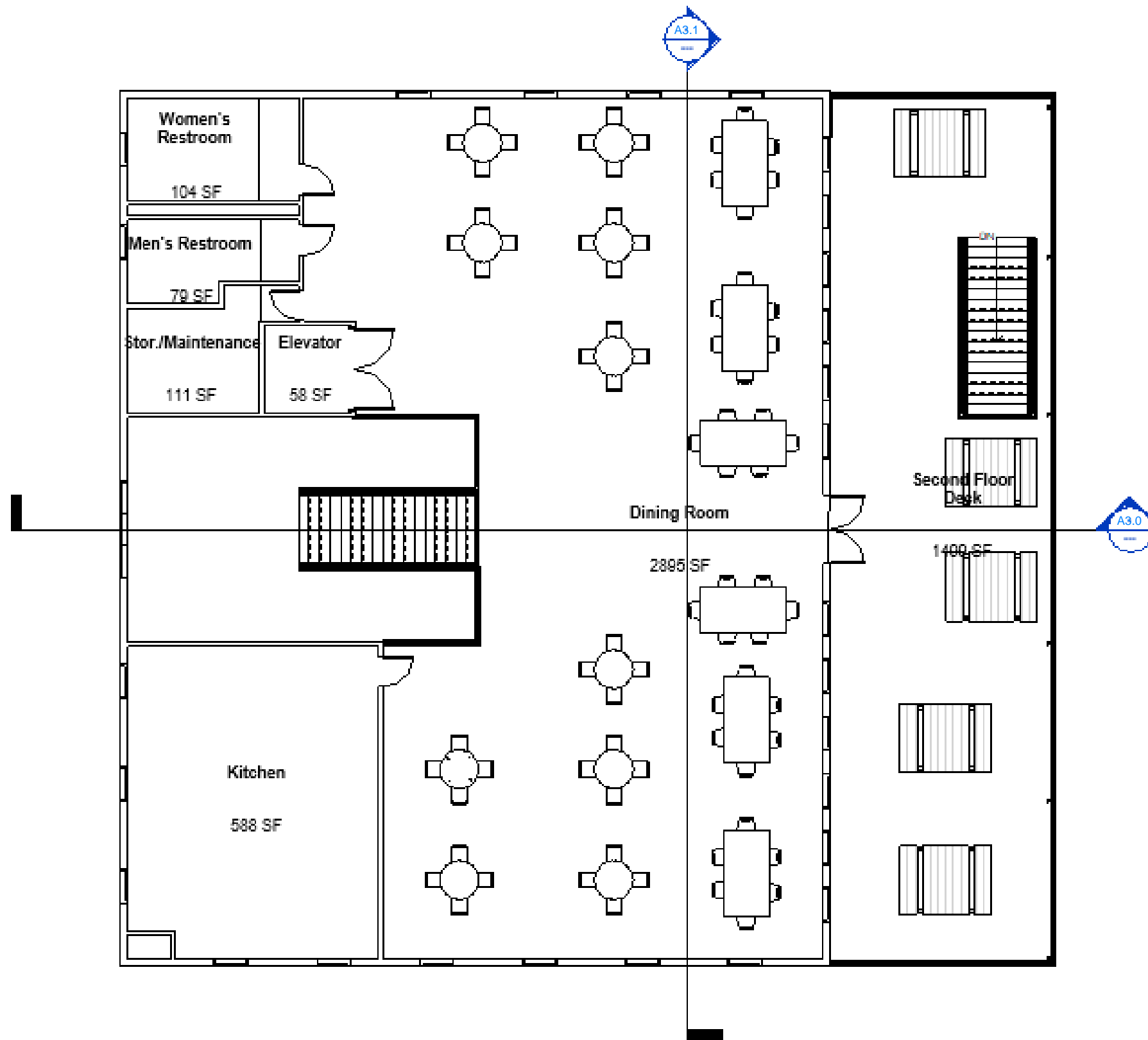
Owner
New Rodanthe Pier

No.	Description	Date

Level 1 Floor Plan

Project number	Project Number
Date	Issue Date
Drawn by	Author
Checked by	Checker

A2.0
Scale



www.autodesk.com/revit

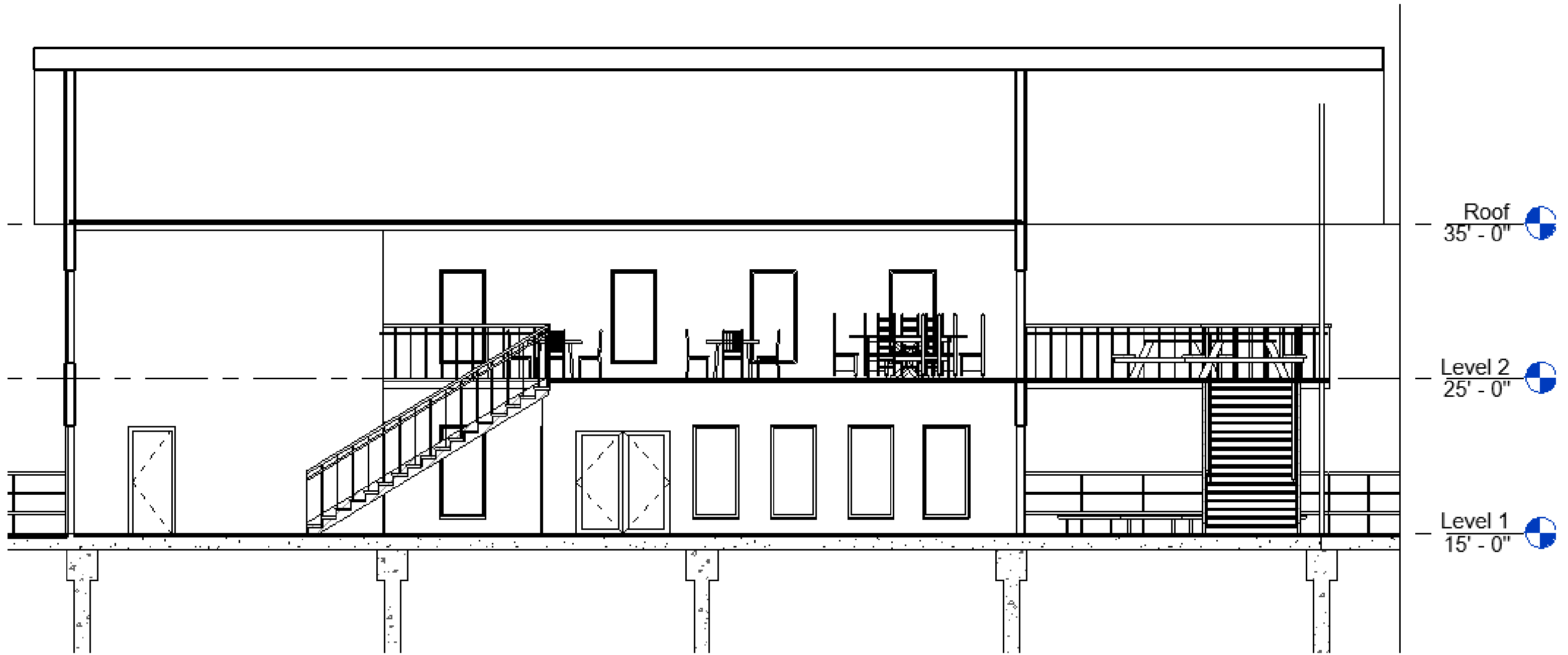
Owner
New Rodanthe Pier

No.	Description	Date

Level 2 Floor Plan

Project number	Project Number
Date	Issue Date
Drawn by	Author
Checked by	Checker

A2.1
Scale



AUTODESK

www.autodesk.com/revit

Owner

New Rodanthe Pier

No.	Description	Date

Section View 1

Project number	Project Number
Date	Issue Date
Drawn by	Author
Checked by	Checker

A3.0
Scale



AUTODESK

www.autodesk.com/revit

Owner
New Rodanthe Pier

No.	Description	Date

Section View 2

Project number	Project Number
Date	Issue Date
Drawn by	Author
Checked by	Checker

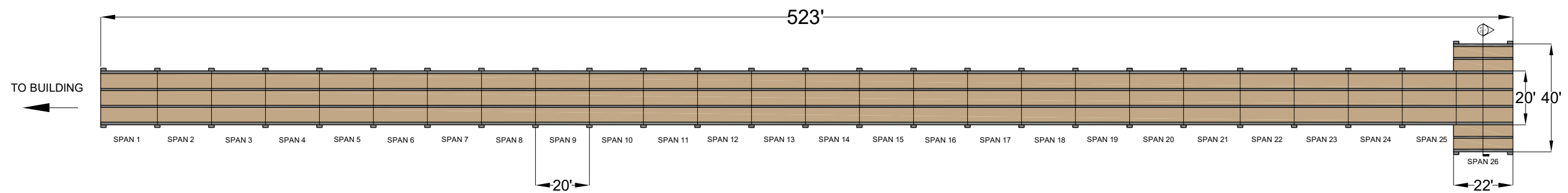
A3.1
Scale

LEGEND

- CONCRETE
- WOOD



New Rodanthe Pier Project
 23731 NC 12 HWY
 Rodanthe, NC



REV.	DESC.	BY	DATE

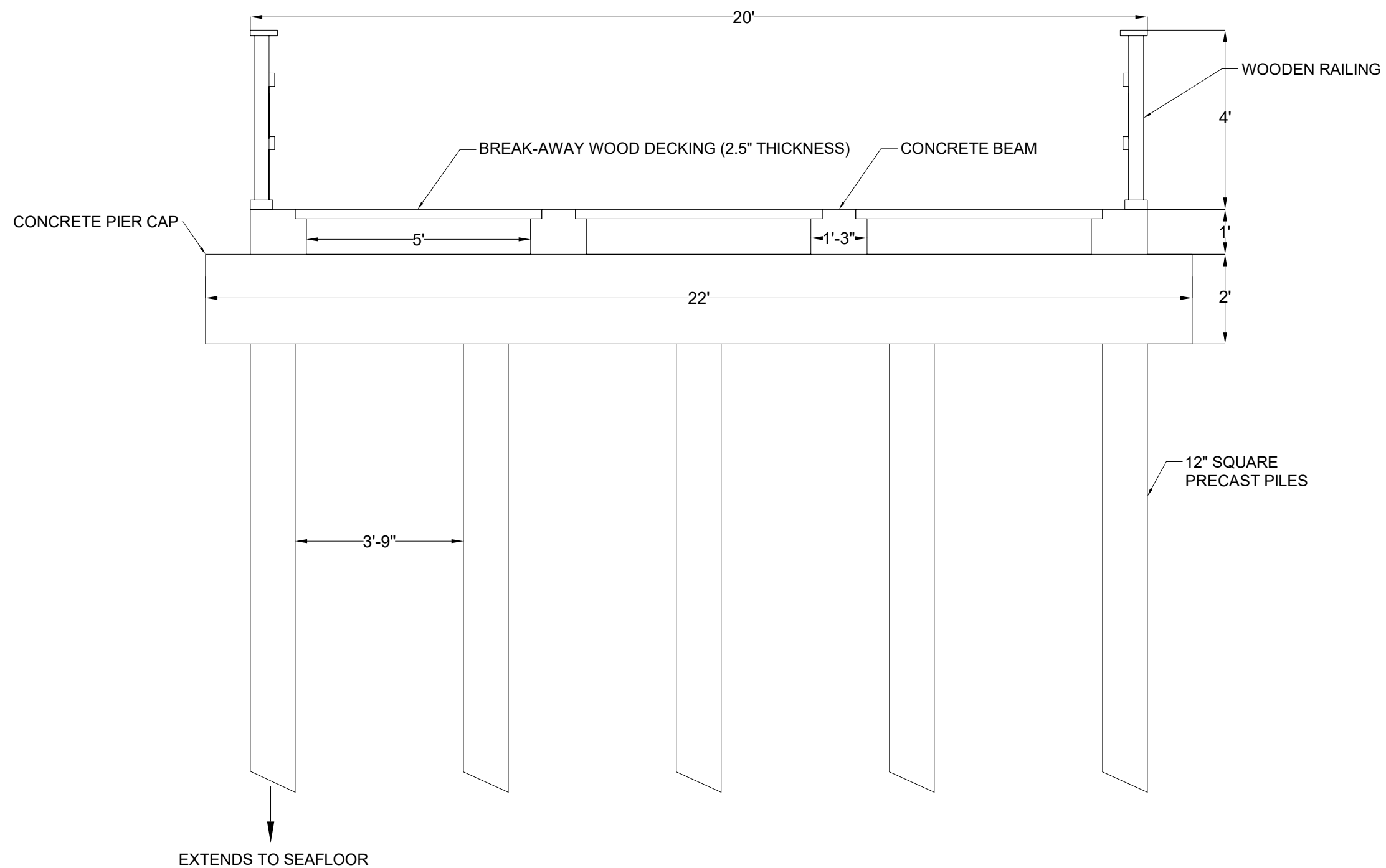
S1.0
 PIER PLAN
 VIEW
 SCALE: 1/64" = 8'0"

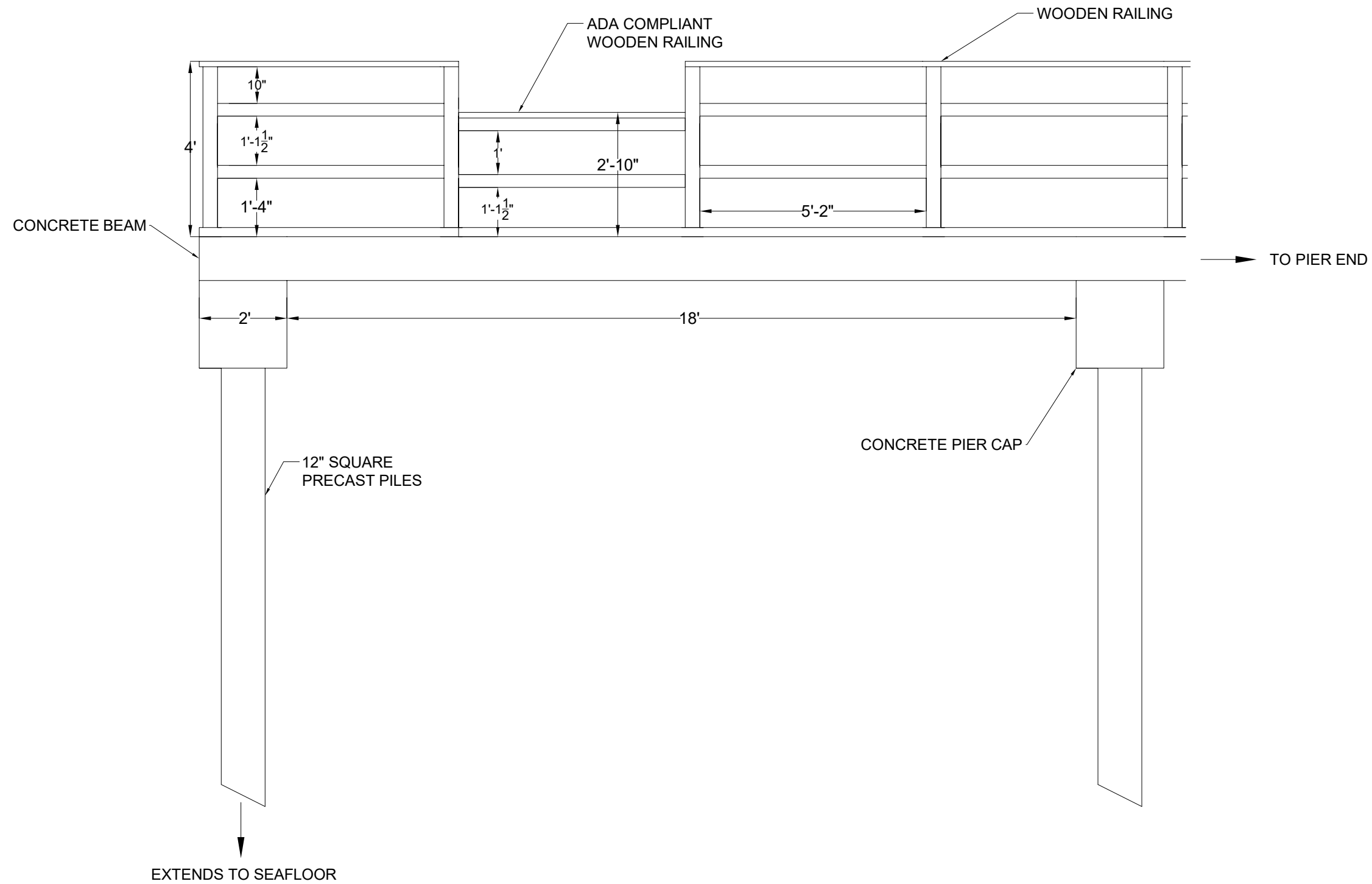
New Rodanthe Pier Project
23731 NC 12 HWY
Rodanthe, NC

REV.	DESC.	BY	DATE

S1.1
TYPICAL BENT SECTION

SCALE: 1/32" = 1'0"



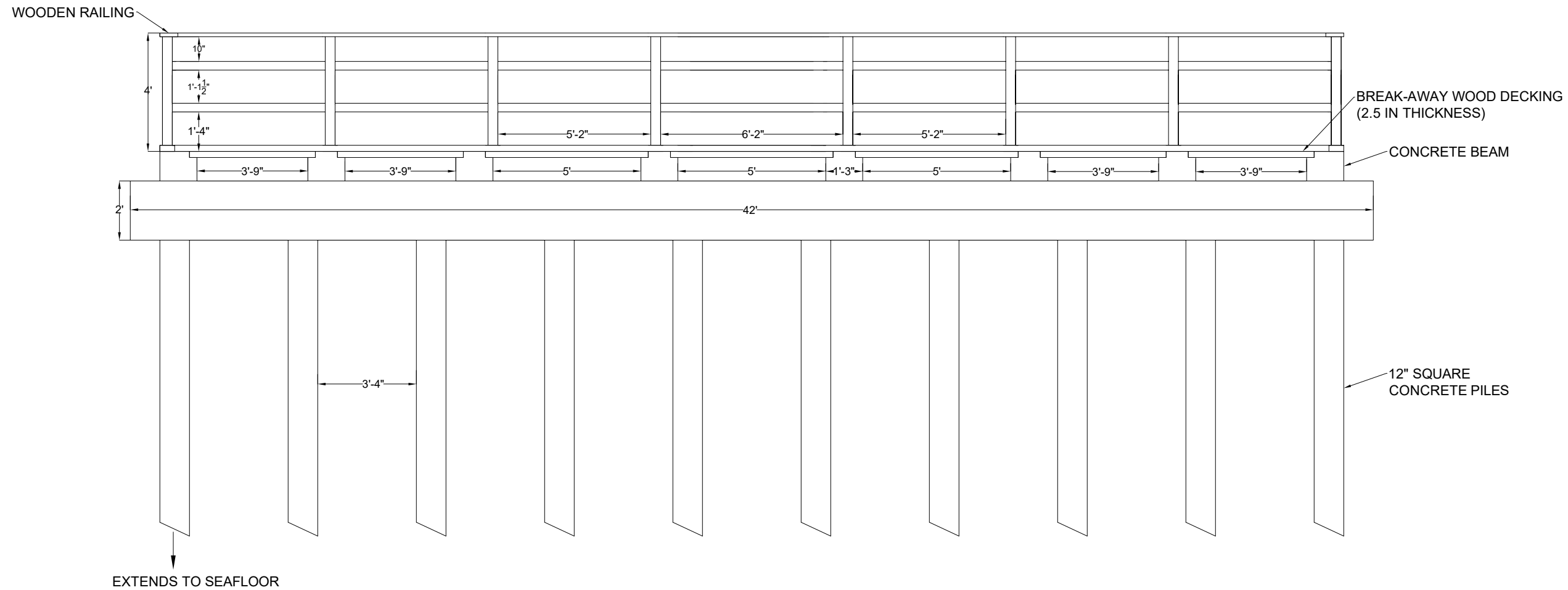


New Rodanthe Pier Project
23731 NC 12 HWY
Rodanthe, NC

REV.	DESC.	BY	DATE

S1.2
TYPICAL BENT
ELEVATION

SCALE: 1/32" = 1'0"

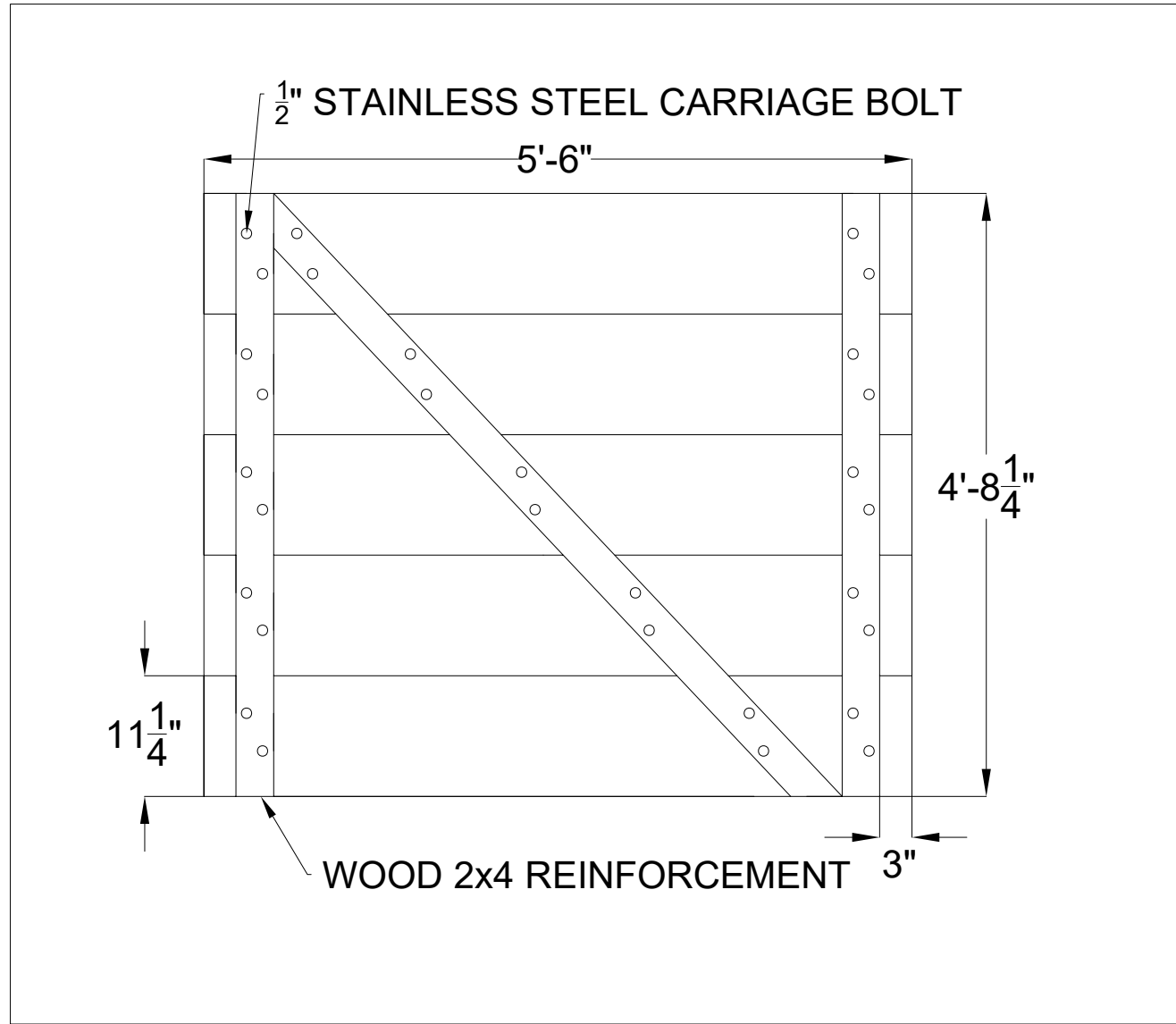


New Rodanthe Pier Project
23731 NC 12 HWY
Rodanthe, NC

REV.	DESC.	BY	DATE

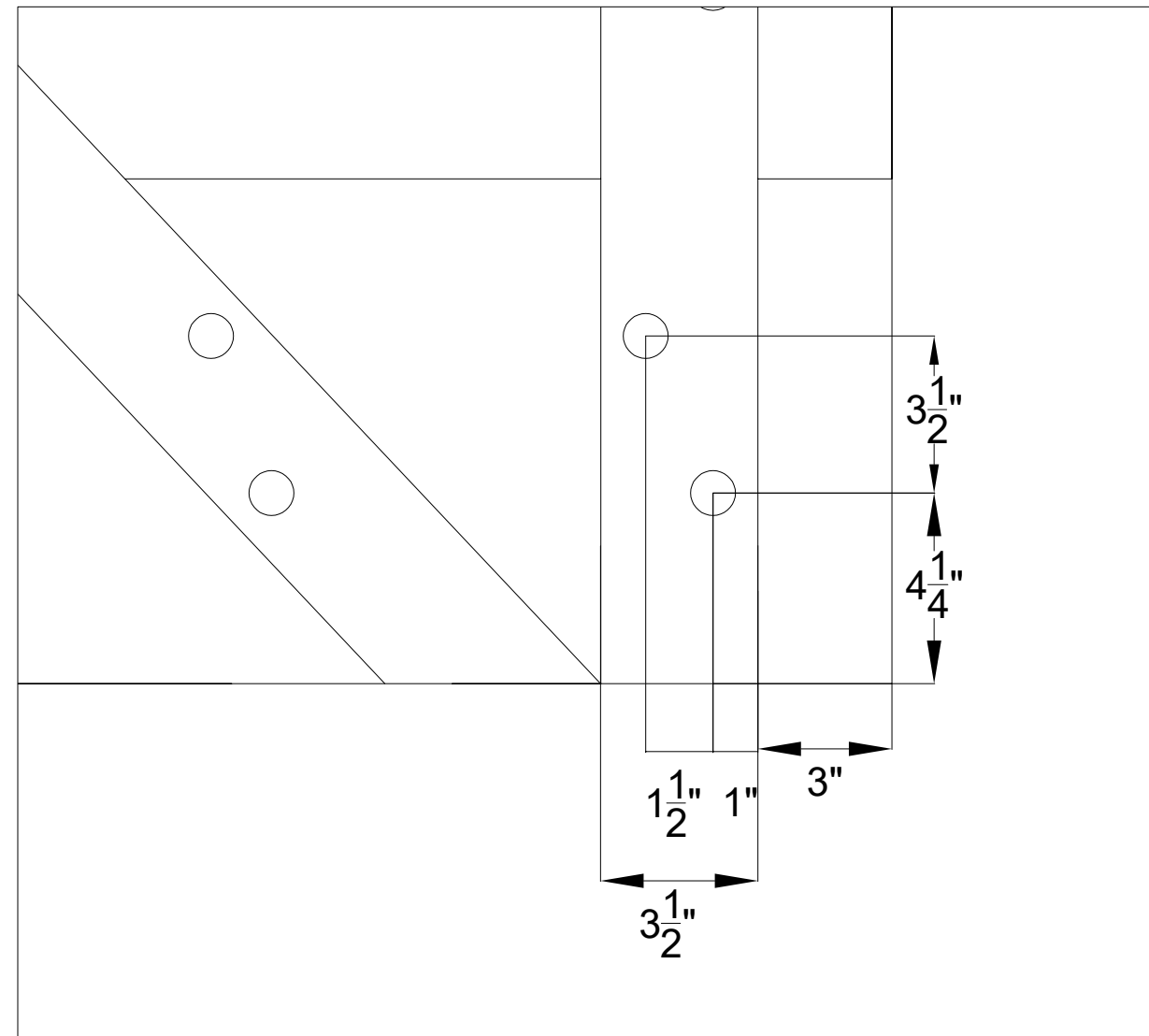
S1.3
END BENT
SECTION

SCALE: 1/48" = 1'0"



DECK PANEL BOTTOM

SCALE: 1/16" = 1'0"



DECK PANEL BOTTOM - ENLARGED

SCALE: 1/4" = 1'0"

New Rodanthe Pier Project
23731 NC 12 HWY
Rodanthe, NC

REV.	DESC.	BY	DATE

S1.4
PIER DECK
DETAIL